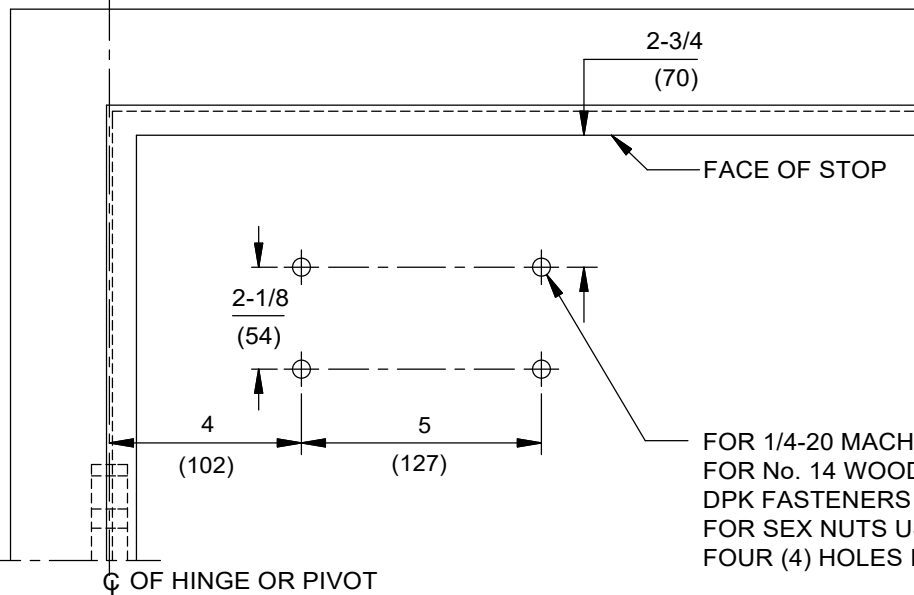
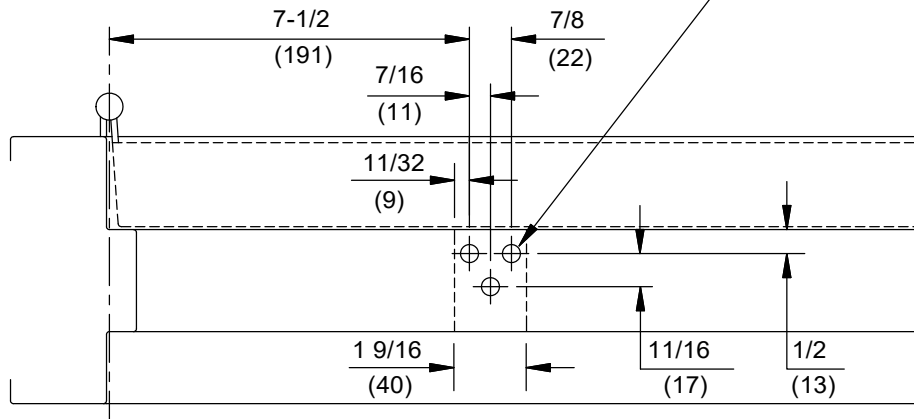
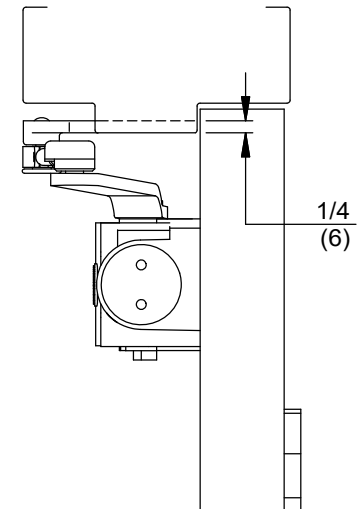


FOR 1/4-20 MACHINE SCREWS USE 7/32" DRILL & TAP  
 FOR No. 14 WOOD SCREWS USE 5/32" DRILL  
 DPK FASTENERS DRILL 1/8" PILOT HOLE  
 THREE (3) HOLES IN SOFFIT FOR BRACKET



NOTES:

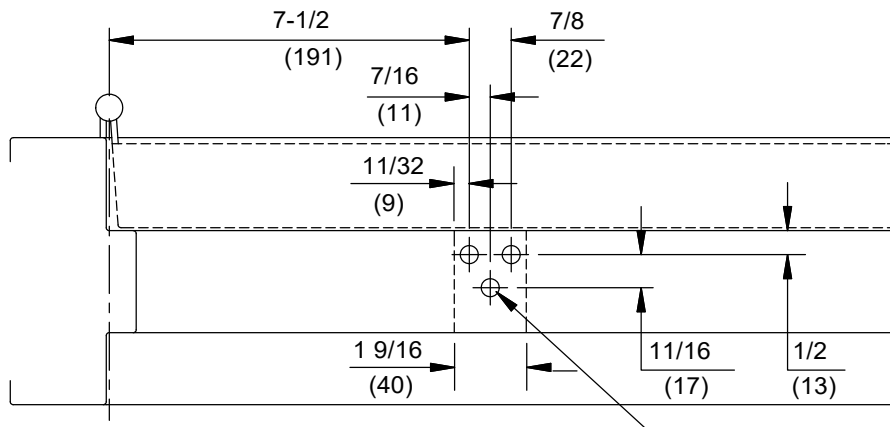
1. DO NOT SCALE DRAWING.
2. DIMENSIONS ARE IN INCHES/(MM).
3. LEFT HAND DOOR SHOWN.
4. CAUTION: SEX NUTS ARE REQUIRED FOR ATTACHMENT OF COMPONENTS ON UNREINFORCED DOORS AND TO WOOD OR PLASTIC FACED COMPOSITE TYPE FIRE DOORS, UNLESS AN ALTERNATIVE METHOD IS IDENTIFIED IN THE INDIVIDUAL DOOR MANUFACTURER'S LISTING.
5. MAXIMUM OPENING 180°.
6. OPTIONAL DPK FASTENERS (DPK89) FOR STEEL DOOR & FRAME ONLY.



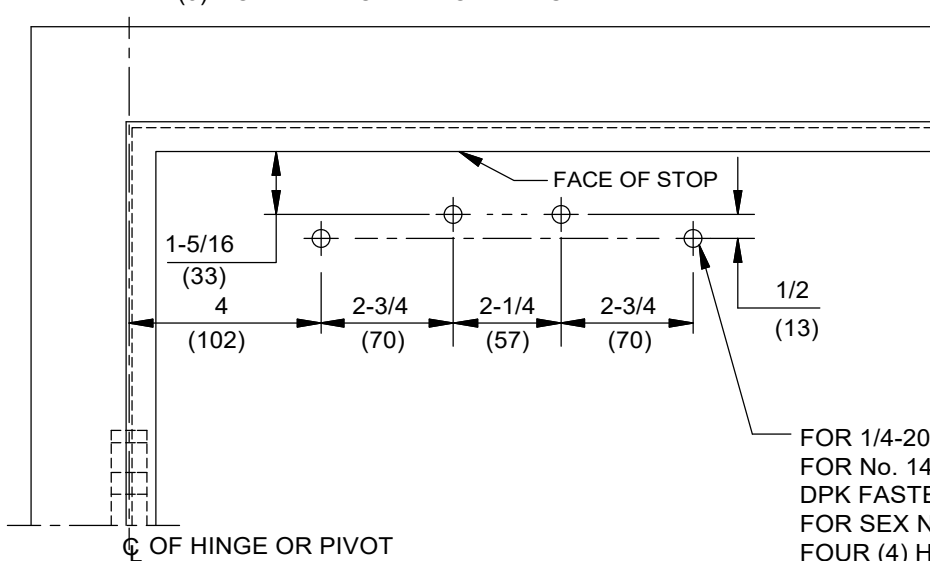
DOOR CLOSER MODELS: 8916, 8956 AF89 x MJ  
 PARALLEL ARM INSTALLATION (PUSH SIDE MOUNT)

**NOTES:**

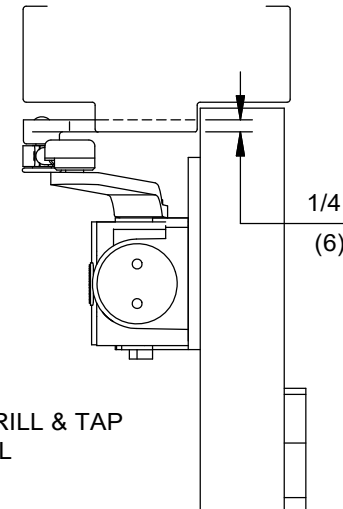
1. DO NOT SCALE DRAWING.
2. DIMENSIONS ARE IN INCHES/(MM).
3. LEFT HAND DOOR SHOWN.
4. CAUTION: SEX NUTS ARE REQUIRED FOR ATTACHMENT OF COMPONENTS TO UNREINFORCED DOORS AND TO WOOD OR PLASTIC FACED COMPOSITE TYPE FIRE DOORS, UNLESS AN ALTERNATIVE METHOD IS IDENTIFIED IN THE INDIVIDUAL DOOR MANUFACTURER'S LISTINGS.
5. MAXIMUM OPENING 180°.
6. OPTIONAL DPK FASTENERS (DPK89) FOR STEEL DOOR & FRAME ONLY.



FOR 1/4-20 MACHINE SCREWS USE 7/32" DRILL  
 FOR No. 14 WOOD SCREWS USE 5/32" DRILL  
 DPK FASTENERS DRILL 1/8" PILOT HOLE  
 THREE (3) HOLES IN SOFFIT FOR BRACKET



FOR 1/4-20 MACHINE SCREWS USE 7/32" DRILL & TAP  
 FOR No. 14 WOOD SCREWS USE 5/32" DRILL  
 DPK FASTENERS DRILL 1/8" PILOT HOLE  
 FOR SEX NUTS USE 3/8" DRILL  
 FOUR (4) HOLES IN DOOR FOR PLATE



DOOR CLOSER MODELS: 8916, 8956 AF89P x MJ  
 PARALLEL ARM INSTALLATION (PUSH SIDE MOUNT)  
 WITH PLATE DP89